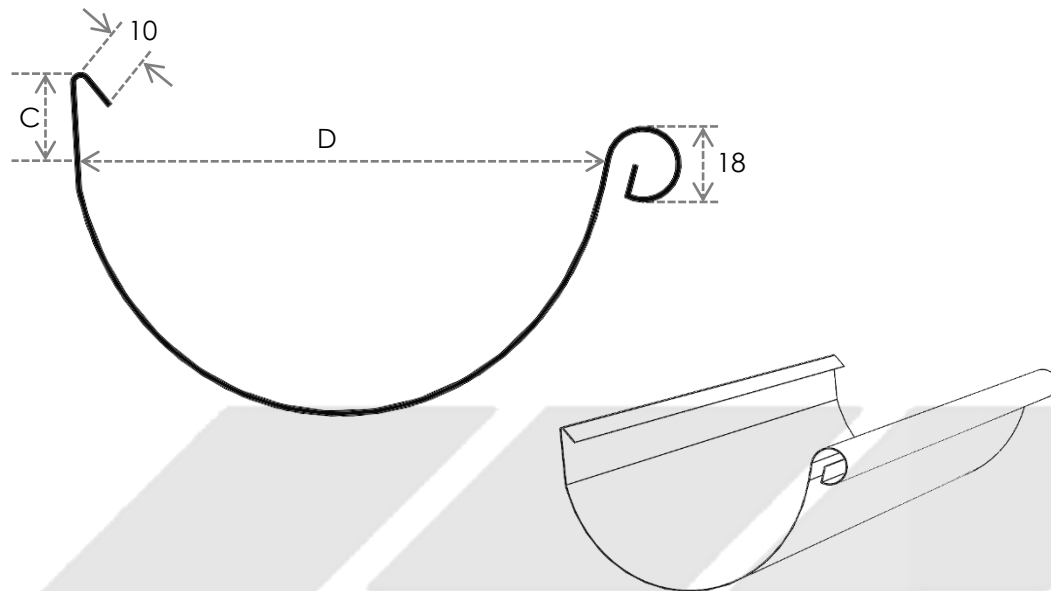
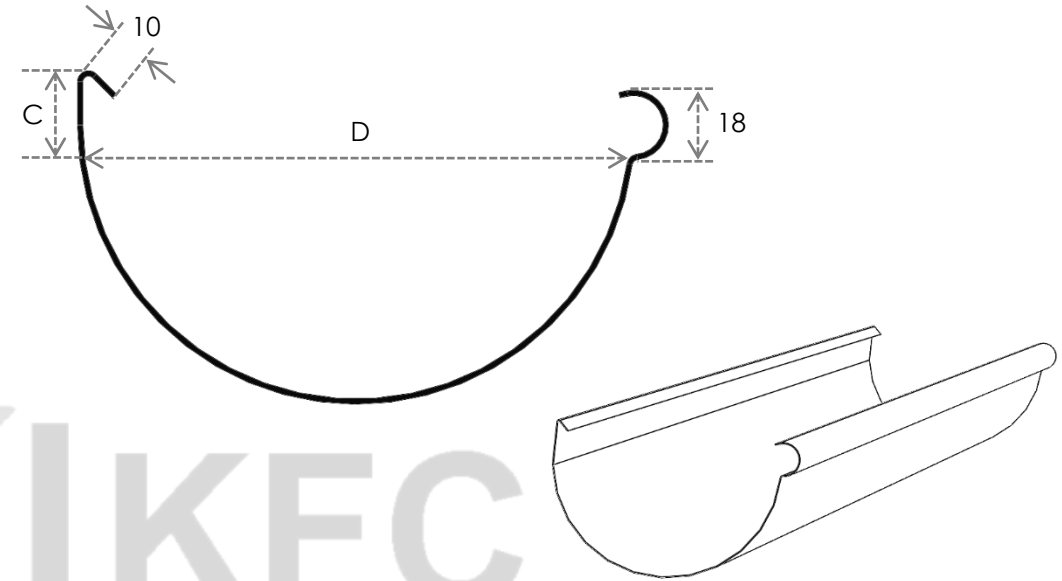


HALF ROUND GUTTERS AREA CHART COMPARISON FOR EURO & AUS BEAD



EURO BEAD HALF ROUND GUTTER



AUS BEAD HALF ROUND GUTTER

DIAMETER (mm)	C (mm)	D (mm)	CROSS SECTIONAL AREA (sq.mm)	WATER CARRYING CAPACITY (litre/m)
100	10	105	4328	4.4
125	11	127	6331	6.4
150	11	153	9189	9.2
200	11	192	14470	14.5
250	28	250	24532	24.6
300	30	298	34856	34.9
350	25	346	46989	47
400	25	394	60931	61
450	25	448	78777	78.8

DIAMETER (mm)	C (mm)	D (mm)	CROSS SECTIONAL AREA (sq.mm)	WATER CARRYING CAPACITY (litre/m)
100	20	100	3288	3.3
125	20	125	5324	5.4
150	25	150	7450	7.5
200	25	190	12286	12.3
250	28	232	15516	15.6
300	30	295	28626	28.7
350	25	345	42698	42.7
400	25	394	57113	57.2
450	25	448	74311	74.4